

**Ersatzteilliste
Spare Parts List
Liste des pièces de rechange**

K 520 M

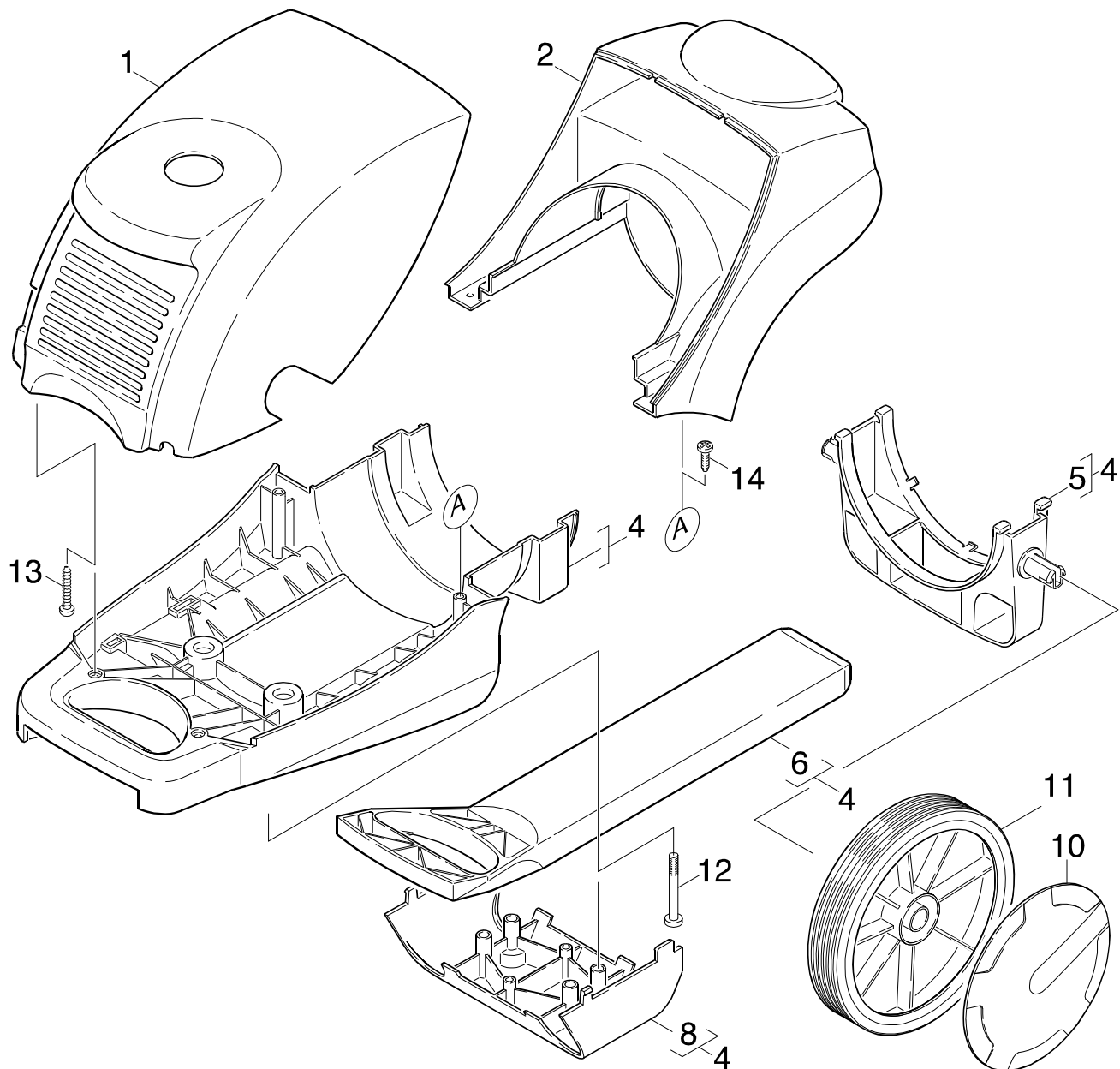
- 1.069-680.0 K 520 M -WB
- 1.069-700.0 K 520M DI-PLUS *CDN
- 1.069-720.0 K 520 M DI * BR
- 1.069-933.0 K 520M-PLUS *MEX
- 1.069-937.0 K 520M-WB * CDN

GRUPPE: 1.0 EINZELTEILE
GROUP: 1.0 PIECE PARTS
GRUPPE: 1.0 PIECES CONSTITUANTES

A1

K 520 M

GRUPPE: 1.0 EINZELTEILE
GROUP: 1.0 PIECE PARTS
GRUPPE: 1.0 PIECES CONSTITUANTES



Symbolbeschreibung siehe M16 / symbol description see M16 / désignation de système voir M16 /

GRUPPE: 1.0 EINZELTEILE
GROUP: 1.0 PIECE PARTS
GRUPPE: 1.0 PIECES CONSTITUANTES

C1

K 520 M

POS. ITM. POS.	BENNENUNG DESCRIPTION DESIGNATION	TEILE-NR. PART-NO. NO.PIECE	STCK QTY. NBR.
1	HAUBE NEUTRAL / COVER / CAPOT	5.066-881.0	1
2	ABDECKUNG CHASSIS / COVERING CAP / CHAPEAU	5.031-241.0	1
2	ABDECKUNG CHASSIS / COVERING CAP / CHAPEAU	5.031-977.0	1
	/ 1.069-937.0		
4	CHASSIS KPL. / CHASSIS / CHASSIS	4.050-334.0	1
5	ACHSE / AXLE / ESSIEU	5.105-223.0	1
6	GRIFF / HANDLE / POIGNEE	5.321-505.0	1
8	ABDECKUNG GRIFF / COVERING CAP / CHAPEAU	5.031-242.0	1
10	RADKAPPE / WHEEL CAB / ENJOLIVEUR	6.435-281.0	2
11	RAD KPL. / WHEEL / ROUE	4.515-033.0	2
	/ => 363449		
11	RAD D180 / WHEEL / ROUE	5.515-117.0	2
	336450 =>		
12	LINSENSCHR. M 6X 65 / OVAL HEAD SCREW / VIS A TETE BOMBEE	6.304-117.0	2
13	SCHRAUBE 5X25 / SCREW / VIS	6.303-200.0	2
14	SCHRAUBE 5,0X 20 / SCREW / VIS	6.303-125.0	2

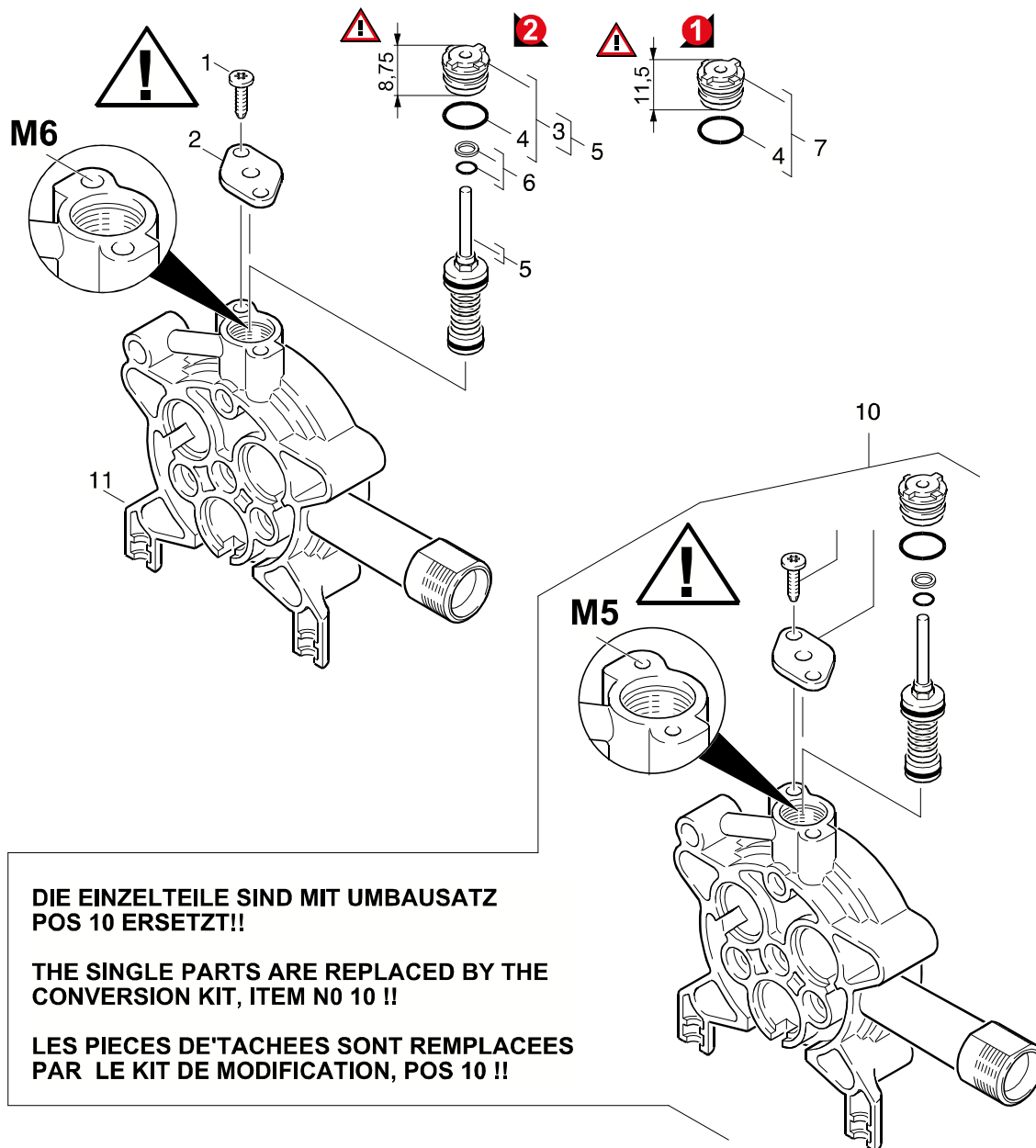
"=> xxxxxx" = bis Werknummer / up to serial No. / jusqu' au No. de fabr. / "xxxxxx =>" = ab Werknummer / from serial No. / a partir du No. de fabr. /

GRUPPE: 2.0 PUMPENSATZ
GROUP: 2.0 PUMP SET
GRUPPE: 2.0 JEU (ENSEMBLE) DE POMPE

A2

K 520 M

GRUPPE: 2.0 PUMPENSATZ
GROUP: 2.0 PUMP SET
GRUPPE: 2.0 JEU (ENSEMBLE) DE POMPE



Symbolbeschreibung siehe M16 / symbol description see M16 / désignation de système voir M16 /

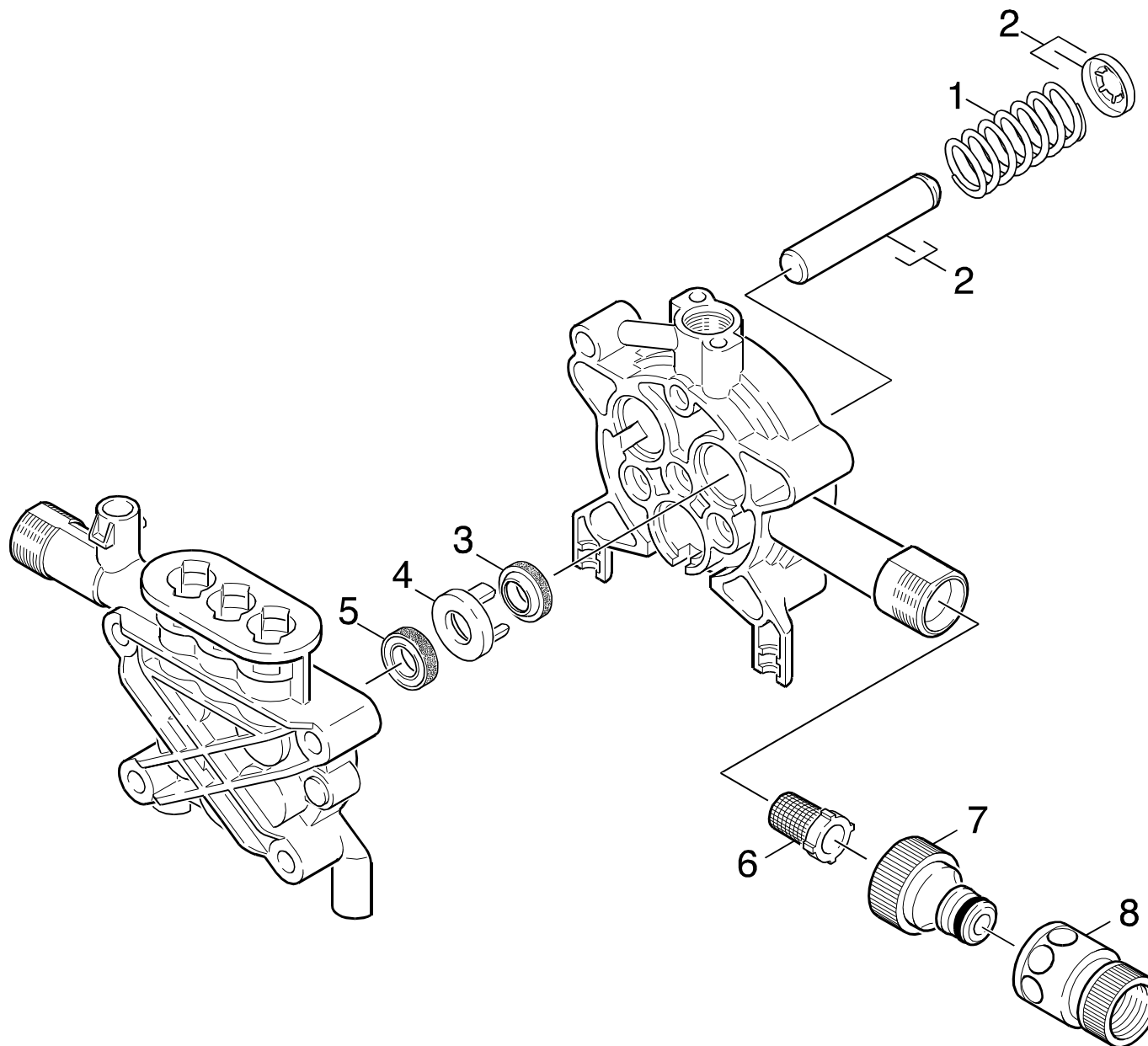
GRUPPE: 2.1 UEBERSTROEMER
GROUP: 2.1 SPILL VALVE
GROUPE: 2.1 VALVE DE BARRAGE

C2

K 520 M

POS. ITM. POS.	BENNENUNG DESCRIPTION DESIGNATION	TEILE-NR. PART-NO. NO.PIECE	STCK QTY. NBR.
1	SCHRAUBE M 6X 20 / SCREW / VIS	7.303-048.0	2
2	DECKEL / COVER / COUVERCLE	5.063-755.0	1
3	FORMTEIL KPL. / MOULDED PART / PREFORME	4.030-123.0	1
	VERSION 2		
4	O-RING 12,0 X 2,0 / GASKET / BAQUE D'ETANCHEITE	6.362-169.0	1
5	UEBERSTROEMER KPL. / SPILL VALVE / VALVE DE BARRAGE	4.580-618.0	1
6	O-RING 3,69 KPL. / GASKET / BAQUE D'ETANCHEITE	6.362-852.0	1
7	FORMTEIL KPL. / MOULDED PART / PREFORME	4.030-069.0	1
	VERSION 1		
10	ET-SET NEUTRAL / SPARE PARTS SET / JEU DE PIECES DECHANGE	2.883-833.0	1
	ELEKTROKASTEN POS8/B5 IM ET-SET 2.883-833 ENTHALTEN/ELECTRIC BOX ITM8/B5 INCLUDED TO SPARE PART KIT 2.883-833/COFFRE ELECTR. POS8/B5 COMPRIS PIECE DE RECHANGE 2.883-833		
11	KOLBENFUEHRUNG / PISTON GUIDANCE / GARDE DE PISTON	5.060-642.0	1

"=> xxxxxx" = bis Werknummer / up to serial No. / jusqu' au No. de fabr. / "xxxxxx =>" = ab Werknummer / from serial No. / a partir du No. de fabr. /



Symbolbeschreibung siehe M16 / symbol description see M16 / désignation de système voir M16 /

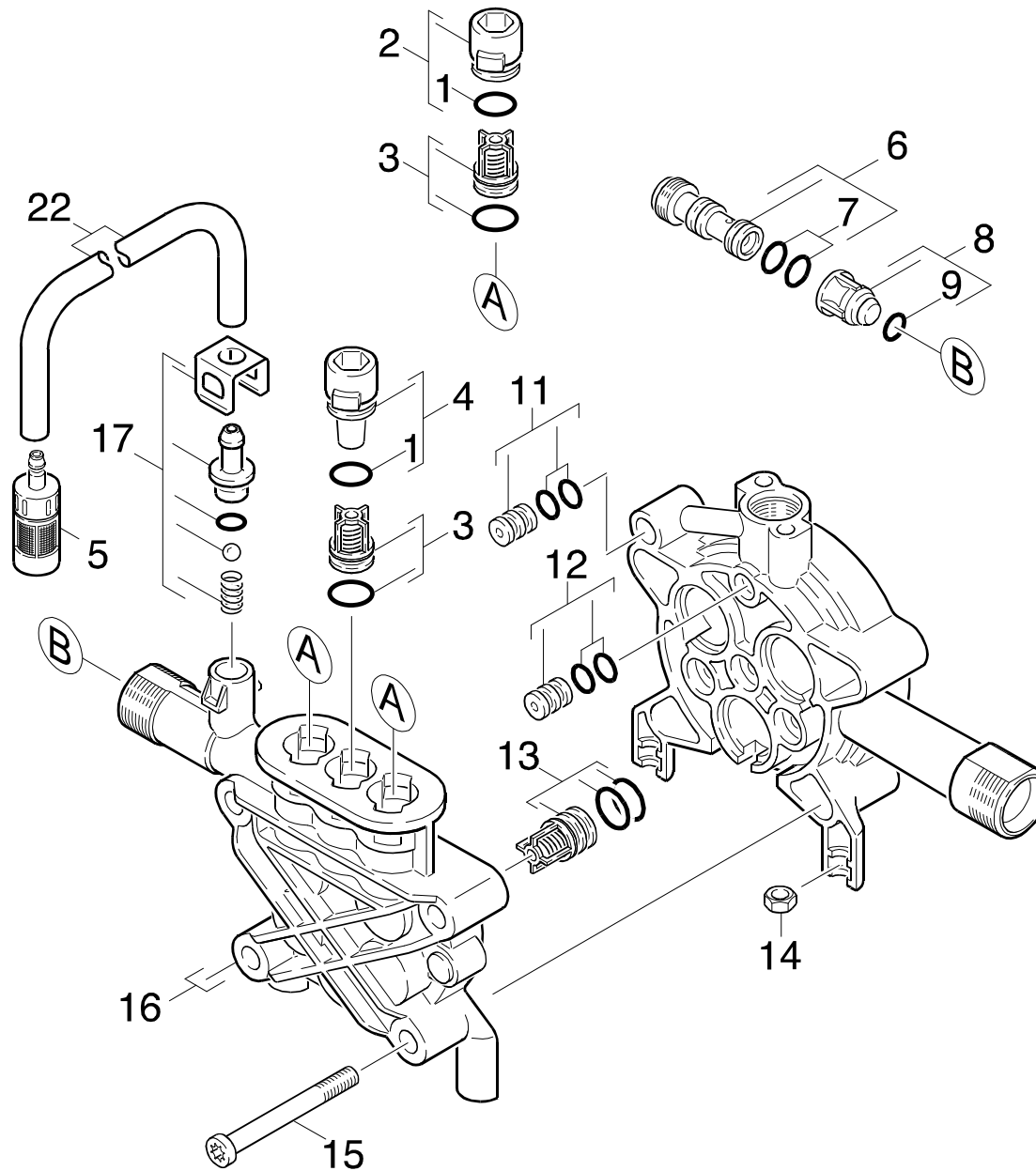
GRUPPE: 2.2 KOLBEN
GROUP: 2.2 PISTON
GROUPE: 2.2 PISTON

E2

K 520 M

POS. ITM. POS.	BENNENNUNG DESCRIPTION DESIGNATION	TEILE-NR. PART-NO. NO.PIECE	STCK QTY. NBR.
1	DRUCKFEDER / PRESSURE SPRING / RESSORT A PRESSION	5.332-391.0	3
2	KOLBEN KPL. / PISTON / PISTON	4.553-173.0	3
3	NUTRING 12X20X4/6 / GROOVED RING / JOINT A LEVRES	6.365-393.0	3
4	SCHEIBE / WASHER / RONDELLE	5.115-674.0	3
5	NUTRING / GROOVED RING / JOINT A LEVRES	6.362-875.0	1
	/ 1.069-680.0 ab from a 17251 / -937.0 ab from a 11300		
5	NUTRING / GROOVED RING / JOINT A LEVRES	6.365-394.0	3
	VERSION 1		
	/ 1.069-680.0 bis up to jusq. 17250 / -700.0 / -720.0 / -933.0 / -937.0 bis up to jusq. 11299		
6	SIEB / STRAINER / CREPINE	6.414-384.0	1
7	ANSCHLUSS 3/4" / CONNECTION / RACCORD	6.389-870.0	1
8	SCHLAUCHKUPPLUNG / HOSE COUPLING / RACCORD POMPIERS	6.389-716.0	1

"=> xxxxxx" = bis Werknummer / up to serial No. / jusqu' au No. de fabr. / "xxxxxx =>" = ab Werknummer / from serial No. / a partir du No. de fabr. /



Symbolbeschreibung siehe M16 / symbol description see M16 / désignation de système voir M16 /

GRUPPE: 2.3 ZYLINDERKOPF
GROUP: 2.3 CYLINDER HEAD
GROUPE: 2.3 CULASSE

G2

K 520 M

POS. ITM. POS.	BENNENUNG DESCRIPTION DESIGNATION	TEILE-NR. PART-NO. NO.PIECE	STCK QTY. NBR.
1	O-RING 11,0 X 2,0 / GASKET / BAQUE D'ETANCHEITE	6.362-458.0	3
2	VENTILSTOPFEN KPL. / PLUG / BOUCHON	4.132-010.0	2
3	DRUCKVENTIL KPL. / PRESSURE VALVE / SOUPAPE	4.580-307.0	3
4	VENTILSTOPFEN KPL. / PLUG / BOUCHON	4.132-011.0	1
5	FILTER / FILTER / FILTRE	4.862-032.0	1
6	DUESENEINSATZ / NOZZLE INSERT / INSERT DE BUSE	4.769-035.0	1
7	O-RING 9,0 X 1,5 / GASKET / BAQUE D'ETANCHEITE	6.362-384.0	2
8	VENTILBOLZEN KPL. / VALVE PIN / BOULON DE SOUPAPE	4.584-022.0	1
9	O-RING 4 X 2 / GASKET / BAQUE D'ETANCHEITE	6.362-851.0	1
11	DROSSEL KPL. / THROTTLE / ETRANGLEMENT	4.030-070.0	1
12	VERBINDUNGSSTUECK / JOINING PIECE / PIECE DE JUNCTION	4.030-045.0	1
13	SAUGVENTIL KPL. / VALVE / SOUPAPE	4.580-308.0	3
14	6KT-MUTTER M 6 / HEXAGON NUT / ECROU HEXAGONAL	7.311-003.0	2
15	6KT-SCHR. M 8X 70 / HEXAGONAL HEAD SCREW / VIS HEXAGONAL	7.304-097.0	4
16	ZYLINDERKOPF / CYLINDER HEAD / CULASSE	5.550-260.0	1
17	ERSATZTEILSET / SPARE PARTS KIT / KIT DE PIECES	2.883-158.0	1
22	SCHLAUCH DN 5 / HOSE / TUYAU FLEXIBLE	6.388-216.0	1

**ALS METERWARE BESTELLEN/TO ORDER AS CUT
GOODS/COMMANDE COMME MARCHANDISE AU METRE**

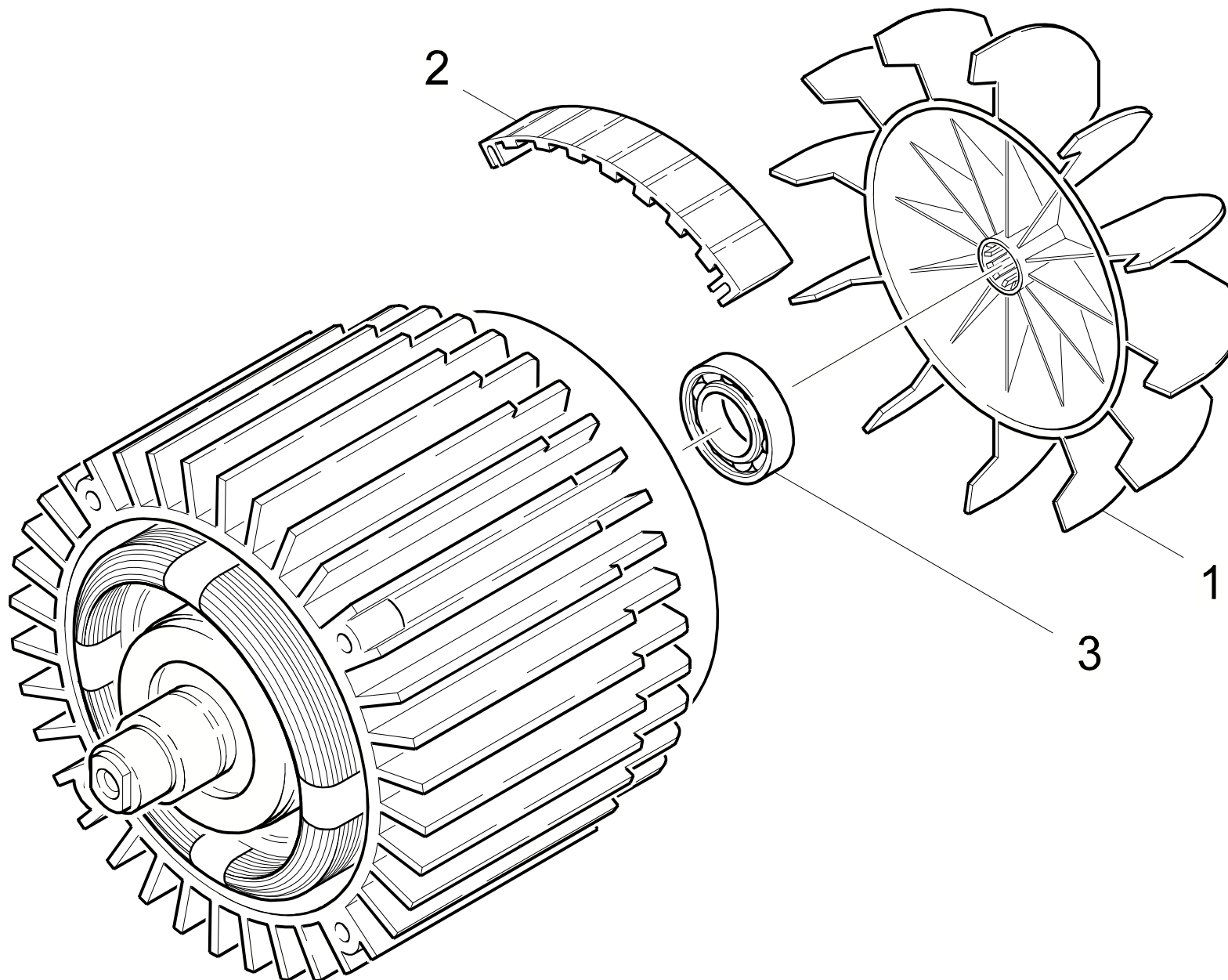
"=> xxxxxx" = bis Werknummer / up to serial No. / jusqu' au No. de fabr. / "xxxxxx =>" = ab Werknummer / from serial No. / a partir du No. de fabr. /

GRUPPE: 3.0 MOTOR
GROUP: 3.0 MOTOR
GRUPPE: 3.0 MOTEUR

A3

K 520 M

GRUPPE: 3.0 MOTOR
GROUP: 3.0 MOTOR
GRUPPE: 3.0 MOTEUR



Symbolbeschreibung siehe M16 / symbol description see M16 / désignation de système voir M16 /

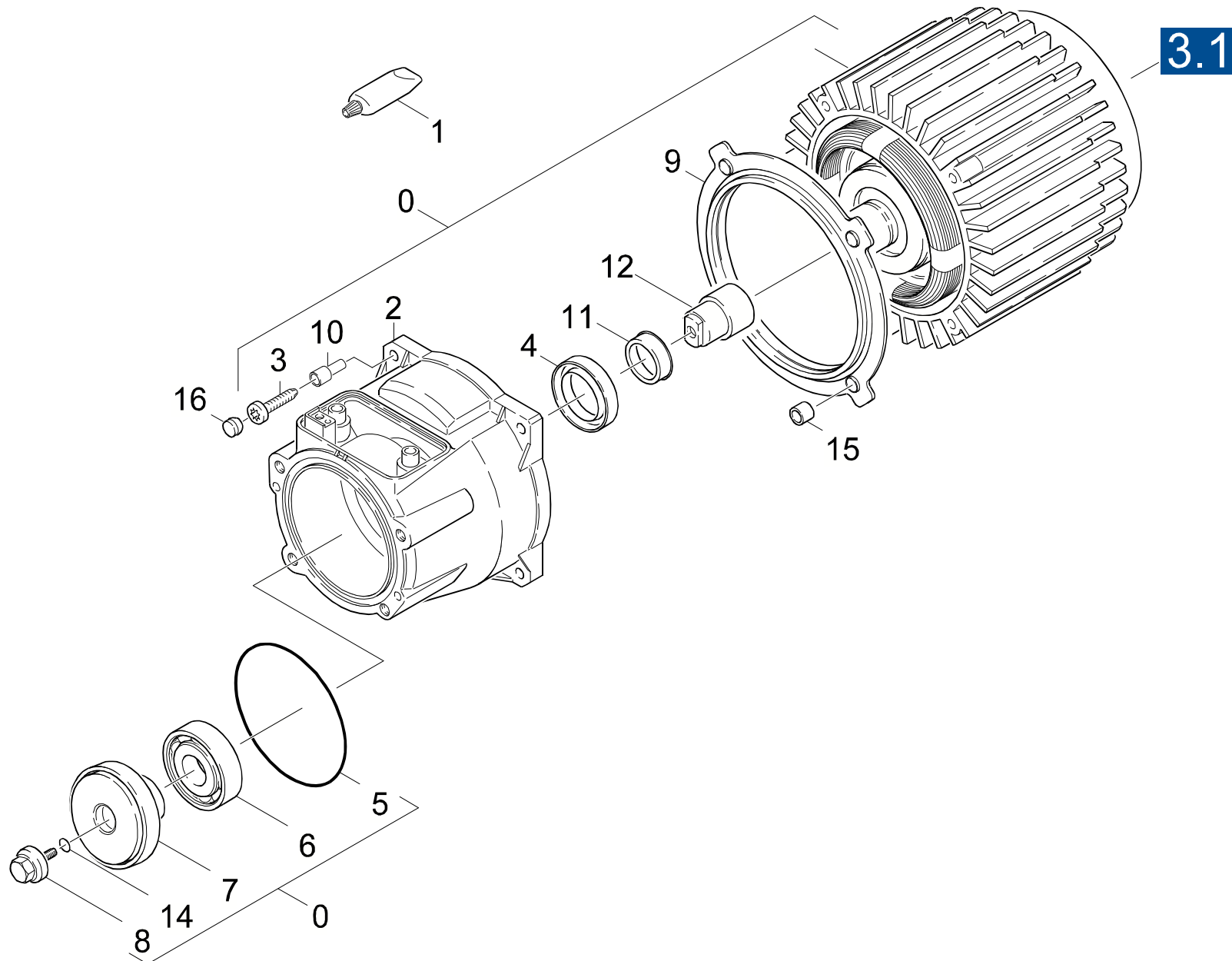
GRUPPE: 3.1 LUEFTUNG
GROUP: 3.1 VENTILATION
GRUPPE: 3.1 VENTILATION

C3

K 520 M

POS.	BENNENNUNG	TEILE-NR.	STCK
ITM.	DESCRIPTION	PART-NO.	QTY.
POS.	DESIGNATION	NO.PIECE	NBR.
1	LUEFTERRAD / BLOWER WHEEL / ROUE DE VENTILATEUR	5.600-038.0	1
2	ISOLIERUNG / INSULATION / ISOLATION	5.763-039.0	2
3	KUGELLAGER 6202-2RS / BALL BEARING / ROULEMENT A BILLE	7.401-128.0	1

"=> xxxxxx" = bis Werknummer / up to serial No. / jusqu' au No. de fabr. / "xxxxxx =>" = ab Werknummer / from serial No. / a partir du No. de fabr. /



Symbolbeschreibung siehe M16 / symbol description see M16 / désignation de système voir M16 /

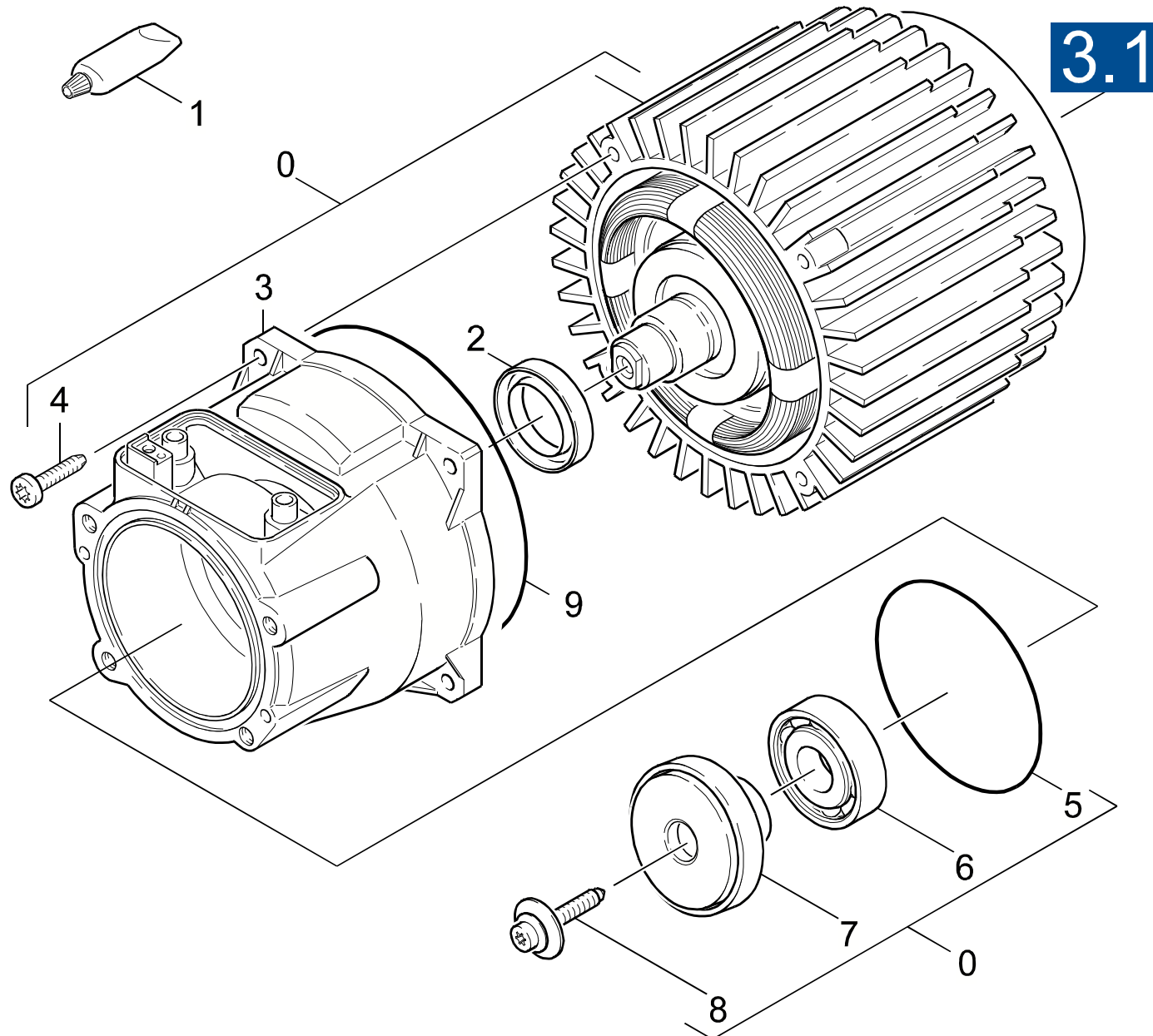
GRUPPE: 3.2 ANTRIEB
GROUP: 3.2 GEAR
GROUPE: 3.2 ENTRAINEMENT

E3

K 520 M

POS. ITM. POS.	BENNENUNG DESCRIPTION DESIGNATION	TEILE-NR. PART-NO. NO.PIECE	STCK QTY. NBR.
0	MOTOR KPL. DI / MOTOR / MOTEUR V1/ 1.069-680 / 1.069-700.0 / -720.0	4.623-322.0	1
1	FLIESSFETT 50ML / FAT / GRAISSE	6.964-092.0	1
2	LAGERSCHILD A-SEITE / END PLATE / FLASQUE	5.093-092.0	1
3	SCHNEIDSCHR. M5X 30 / SELF-TAPPING SCREW / VIS AUTOTARAUEUSE	6.303-214.0	4
4	RWDR A26 X 37 X 7 / ROTARY SHAFT SEAL / JOINT (ARBRE)	7.367-018.0	1
5	O-RING 80,0 X 3,0 / GASKET / BAQUE D'ETANCHEITE	6.362-471.0	1
6	KUGELLAGER 6304 / BALL BEARING / ROULEMENT A BILLE	7.401-155.0	1
7	TAUMELSCHEIBE / SWASH PLATE / DISQUE EN NUTATION	6.401-196.0	1
8	SCHRAUBE / SCREW / VIS	5.305-249.0	1
9	ISOLATIONSRING / ISOLATION RING / ISOLATION BAGUE	5.031-315.0	1
10	ISOLATIONSHUELSE / ISOLATION SLEEVE / ISOLATION DOUILLE	5.031-097.0	4
11	LAUFBUCHSE / SLEEVE / BOITE DE GLISSE	5.112-536.0	1
12	ISOLATIONSHUELSE / ISOLATION SLEEVE / ISOLATION DOUILLE	5.112-534.0	1
14	O-RING 6,0 X 2,0 / GASKET / BAQUE D'ETANCHEITE	6.362-383.0	1
15	HUELSE 8X1 / SLEEVE / DOUILLE	6.347-093.0	4
16	STOPFEN / PLUG / BOUCHON	6.368-284.0	4

"=> xxxxxx" = bis Werknummer / up to serial No. / jusqu' au No. de fabr. / "xxxxxx =>" = ab Werknummer / from serial No. / a partir du No. de fabr. /



Symbolbeschreibung siehe M16 / symbol description see M16 / désignation de système voir M16 /

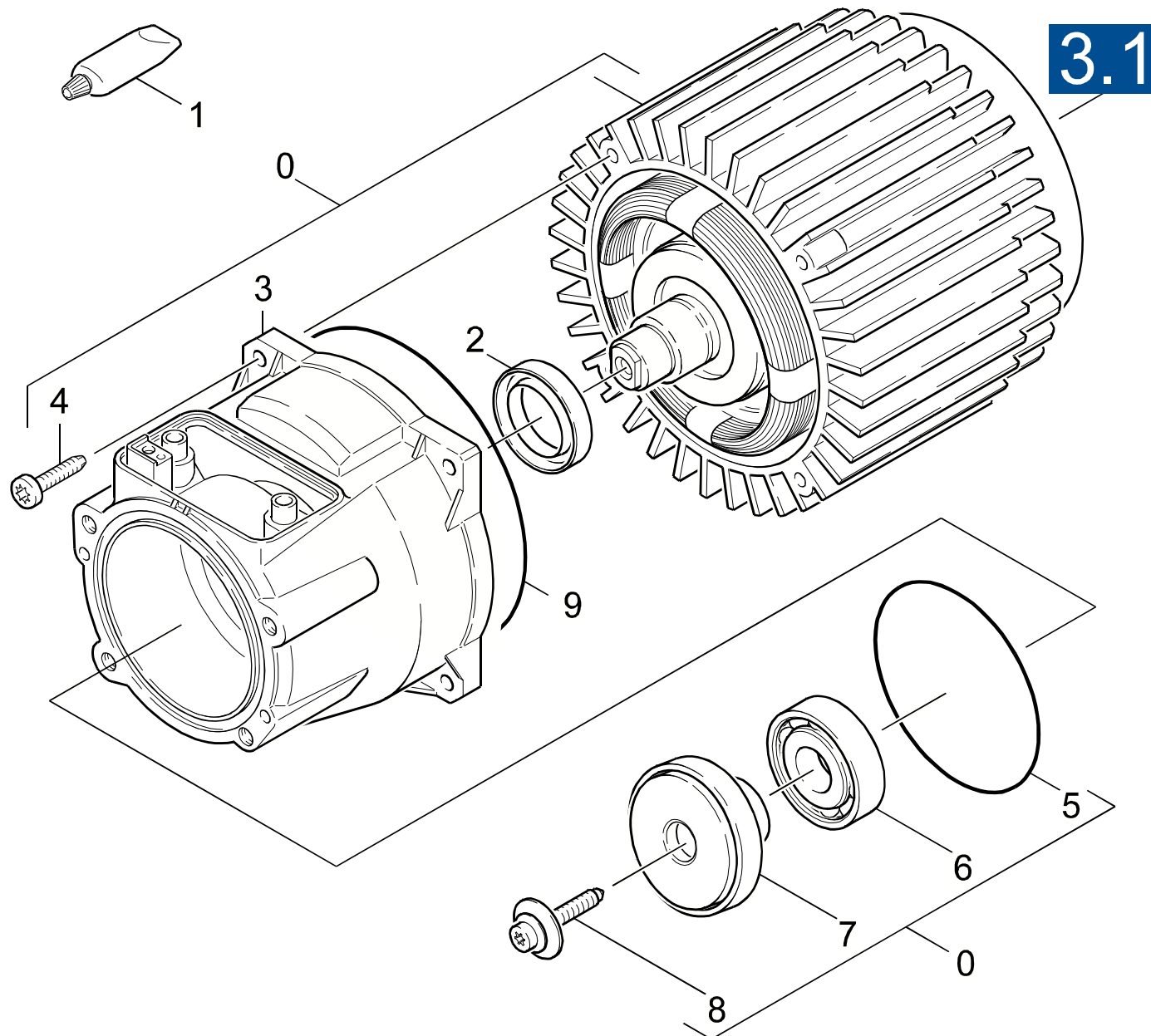
GRUPPE: 3.3 ANTRIEB
GROUP: 3.3 GEAR
GRUPPE: 3.3 ENTRAINEMENT

G3

K 520 M

POS.	BENNENNUNG	TEILE-NR.	STCK
ITM.	DESCRIPTION	PART-NO.	QTY.
POS.	DESIGNATION	NO.PIECE	NBR.
0	MOTOR KPL. / MOTOR / MOTEUR	4.623-506.0	1
2	RWDR A25 X 35 X 7 / ROTARY SHAFT SEAL / JOINT (ARBRE)	7.367-008.0	1
3	ERSATZTEILSET / SPARE PARTS KIT / KIT DE PIECES	2.883-874.0	1
4	SCHNEIDSCHR. M5X 20 / SELF-TAPPING SCREW / VIS AUTOTARAUEUSE	6.303-076.0	4
5	O-RING 80,0 X 3,0 / GASKET / BAQUE D'ETANCHEITE	6.362-471.0	1
6	KUGELLAGER 6303 / BALL BEARING / ROULEMENT A BILLE	7.401-010.0	1
7	TAUMELSCHEIBE / SWASH PLATE / DISQUE EN NUTATION	6.401-197.0	1
8	ZYL.SCHR. M 6X 19 / CHEESE HEAD SCREW / VIS A TETE CYLINDR.	6.304-048.0	1
9	DICHTRING / JOINT RING / BAGUE D'ETANCHEITE	5.363-466.0	1
10	FLIESSFETT 50ML / FAT / GRAISSE	6.964-092.0	1

"=> xxxxxx" = bis Werknummer / up to serial No. / jusqu' au No. de fabr. / "xxxxxx =>" = ab Werknummer / from serial No. / a partir du No. de fabr. /



Symbolbeschreibung siehe M16 / symbol description see M16 / désignation de système voir M16 /

GRUPPE: 3.4 ANTRIEB
GROUP: 3.4 GEAR
GRUPPE: 3.4 ENTRAINEMENT

I3

K 520 M

POS.	BENNENUNG	TEILE-NR.	STCK
ITM.	DESCRIPTION	PART-NO.	QTY.
POS.	DESIGNATION	NO.PIECE	NBR.
0	MOTOR KPL. / MOTOR / MOTEUR	4.623-535.0	1
1	FLIESSFETT 50ML / FAT / GRAISSE	6.964-092.0	1
2	RWDR A17 X 35X 7 / ROTARY SHAFT SEAL / JOINT (ARBRE)	7.367-002.0	1
3	ERSATZTEILSET / SPARE PARTS KIT / KIT DE PIECES	2.883-874.0	1
4	SCHRAUBE M 5X 20 / SCREW / VIS	7.303-041.0	4
5	O-RING 80,0 X 3,0 / GASKET / BAQUE D'ETANCHEITE	6.362-471.0	1
6	KUGELLAGER 6303 / BALL BEARING / ROULEMENT A BILLE	7.401-010.0	1
7	TAUMELSCHIEBE / SWASH PLATE / DISQUE EN NUTATION	6.401-362.0	1
8	ZYL.SCHR. M 6X 19 / CHEESE HEAD SCREW / VIS A TETE CYLINDR.	6.304-048.0	1
9	DICHTRING / JOINT RING / BAGUE D'ETANCHEITE	5.363-466.0	1

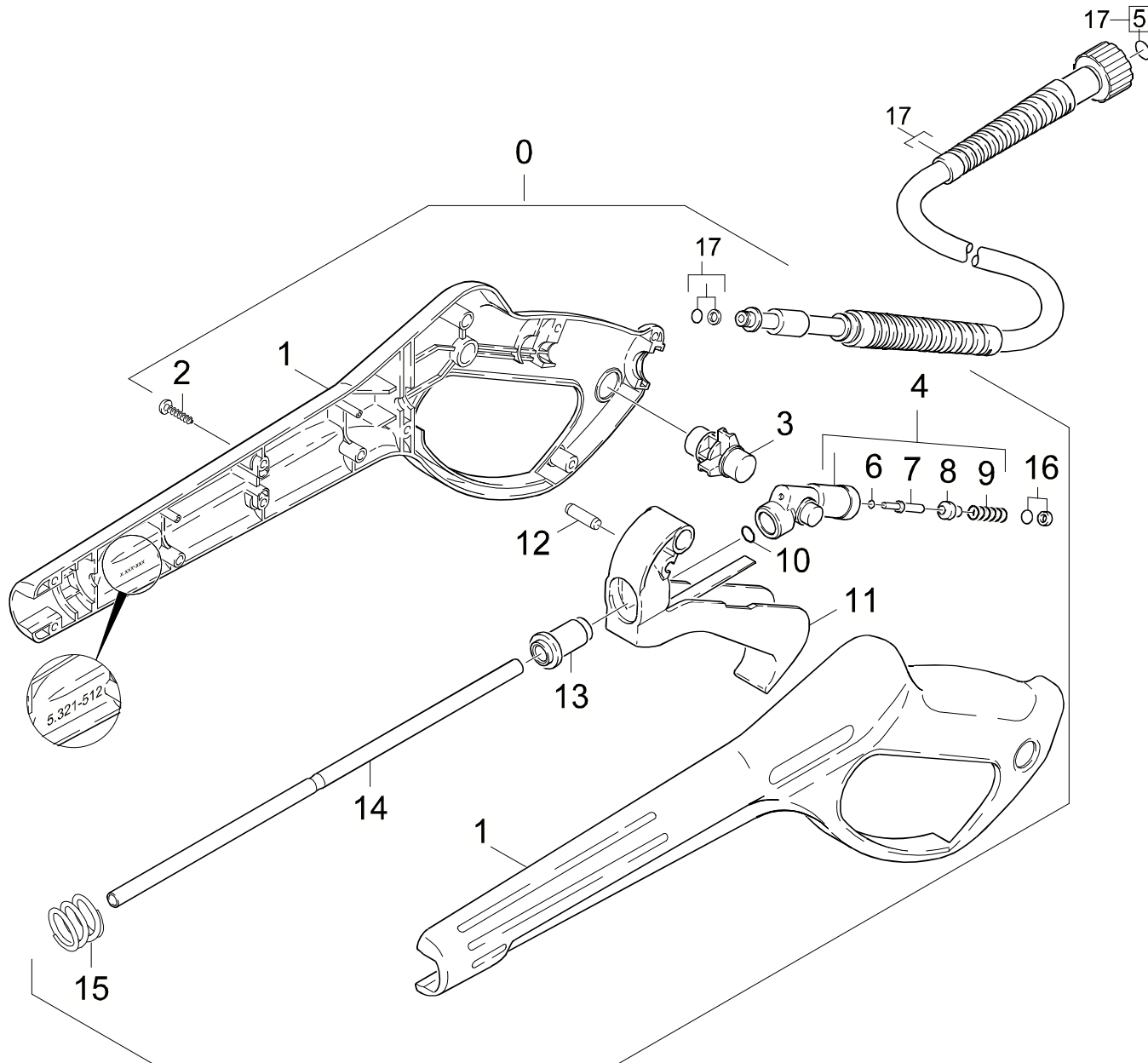
"=> xxxxxx" = bis Werknummer / up to serial No. / jusqu' au No. de fabr. / "xxxxxx =>" = ab Werknummer / from serial No. / a partir du No. de fabr. /

GRUPPE: 4.0 ZUBEHOER
GROUP: 4.0 ACCESSORIES
GRUPPE: 4.0 ACCESSOIRES

A4

K 520 M

GRUPPE: 4.0 ZUBEHOER
GROUP: 4.0 ACCESSORIES
GRUPPE: 4.0 ACCESSOIRES



Symbolbeschreibung siehe M16 / symbol description see M16 / désignation de système voir M16 /

GRUPPE: 4.1 HANDSPRITZPISTOLE / VERSION 1 /
GROUP: 4.1 TRIGGER GUN / VERSION 1 /
GROUPE: 4.1 POIGNEE PISTOLET / VERSION 1 /

C4

K 520 M

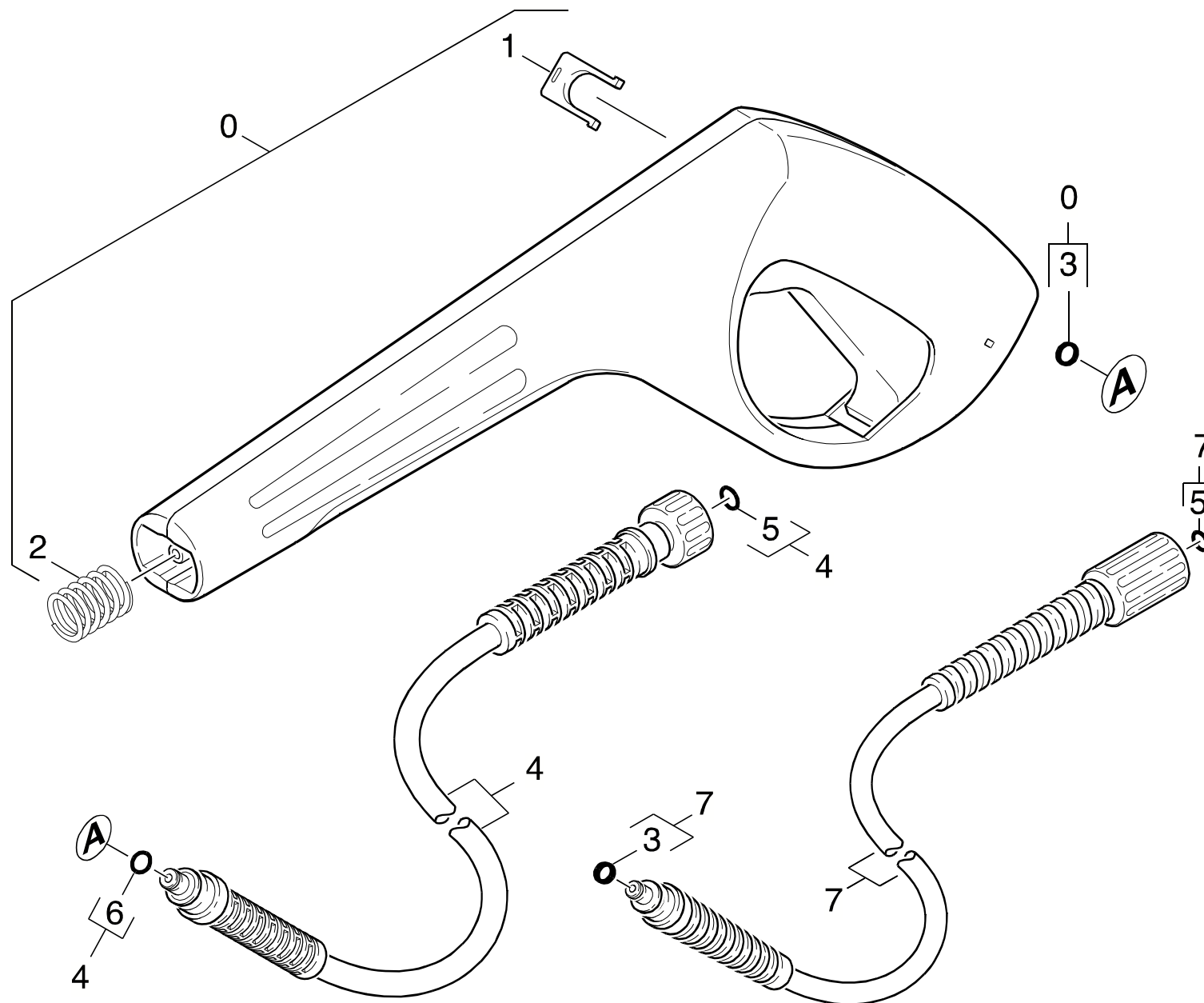
POS. ITM. POS.	BENNENUNG DESCRIPTION DESIGNATION	TEILE-NR. PART-NO. NO.PIECE	STCK QTY. NBR.
0	PISTOLE 96 ERSATZ / PISTOL / PISTOLET	4.775-264.0	1
1	GRIFFPAAAR / HANDLES / BRANCHES POIGNEE	5.321-512.0	1
2	LINSENSCHR. 4,2X 13 / OVAL HEAD SCREW / VIS A TETE BOMBEE	6.303-122.0	9
3	HEBEL VERRIEGELUNG / LEVER / LEVIER	5.481-189.0	1
4	KNOTENSTUECK KPL. / MANIFOLD / FERRURE NODALE	4.427-178.0	1
5	ERSATZTEILSET / SPARE PARTS KIT / KIT DE PIECES	2.880-296.0	1
6	O-RING 2,8 X 1,6 / GASKET / BAQUE D'ETANCHEITE	7.362-502.0	1
7	STANGE / BAR / TIGE	5.107-147.0	1
8	VENTILTELLER / VALVE DISC / TETE DE SOUPAPE	5.582-058.0	1
9	SCHRAUBENFEDER / HELICAL SPRING / RESSORT CYLINDRIQUE	5.332-157.0	1
10	O-RING 7,59X 2,62 / GASKET / BAQUE D'ETANCHEITE	6.362-479.0	1
11	HEBEL KPL. / LEVER / LEVIER	4.481-105.0	1
12	STIFT / PIN / CHEVILLE	5.314-082.0	1
13	HUELSE / SLEEVE / DOUILLE	5.110-539.0	1
14	ROHR PISTOLE / PIPE / TUYAU	5.028-905.0	1
15	DRUCKFEDER / PRESSURE SPRING / RESSORT A PRESSION	5.332-349.0	1
16	O-RING KPL./1ST.-R. / GASKET / BAQUE D'ETANCHEITE	6.363-115.0	1
17	HD-SCHLAUCH 15MPA / HIGH PRESSURE HOSE / TUYAU FLEXIBLE HAUTE PRE.	6.389-555.0	1

"=> xxxxxx" = bis Werknummer / up to serial No. / jusqu' au No. de fabr. / "xxxxxx =>" = ab Werknummer / from serial No. / a partir du No. de fabr. /

GRUPPE: 4.2 HANDSPRITZPISTOLE / VERSION 2 /
GROUP: 4.2 TRIGGER GUN / VERSION 2 /
GRUPPE: 4.2 POIGNEE PISTOLET / VERSION 2 /

D4

K 520 M



Symbolbeschreibung siehe M16 / symbol description see M16 / désignation de système voir M16 /

GRUPPE: 4.2 HANDSPRITZPISTOLE / VERSION 2 /
GROUP: 4.2 TRIGGER GUN / VERSION 2 /
GRUPPE: 4.2 POIGNEE PISTOLET / VERSION 2 /

E4

K 520 M

POS. ITM. POS.	BENNENUNG DESCRIPTION DESIGNATION	TEILE-NR. PART-NO. NO.PIECE	STCK QTY. NBR.
0	PISTOLE-M V1.1.ERS. / PISTOLE-M V1.1.ERS. / PISTOLE-M V1.1.ERS.	4.775-400.0	1
1	KLAMMER / CLAMP / BRIDE DE FIXATION	5.037-140.0	1
2	DRUCKFEDER / PRESSURE SPRING / RESSORT A PRESSION	5.332-464.0	1
3	O-RING 6X2 / GASKET / BAQUE D'ETANCHEITE	6.363-198.0	1
4	HD-M-SCHL. 9/13MPA / HD-M-SCHL. 9/13MPA / HD-M-SCHL. 9/13MPA	6.390-553.0	1
5	ERSATZTEILSET / SPARE PARTS KIT / KIT DE PIECES	2.880-296.0	1
6	O-RING 6,75X 1,78 / GASKET / BAQUE D'ETANCHEITE	6.362-498.0	1
7	HD-M-SCHL. 9/16MPA / HD-M-SCHL. 9/16MPA / HD-M-SCHL. 9/16MPA	6.390-463.0	1

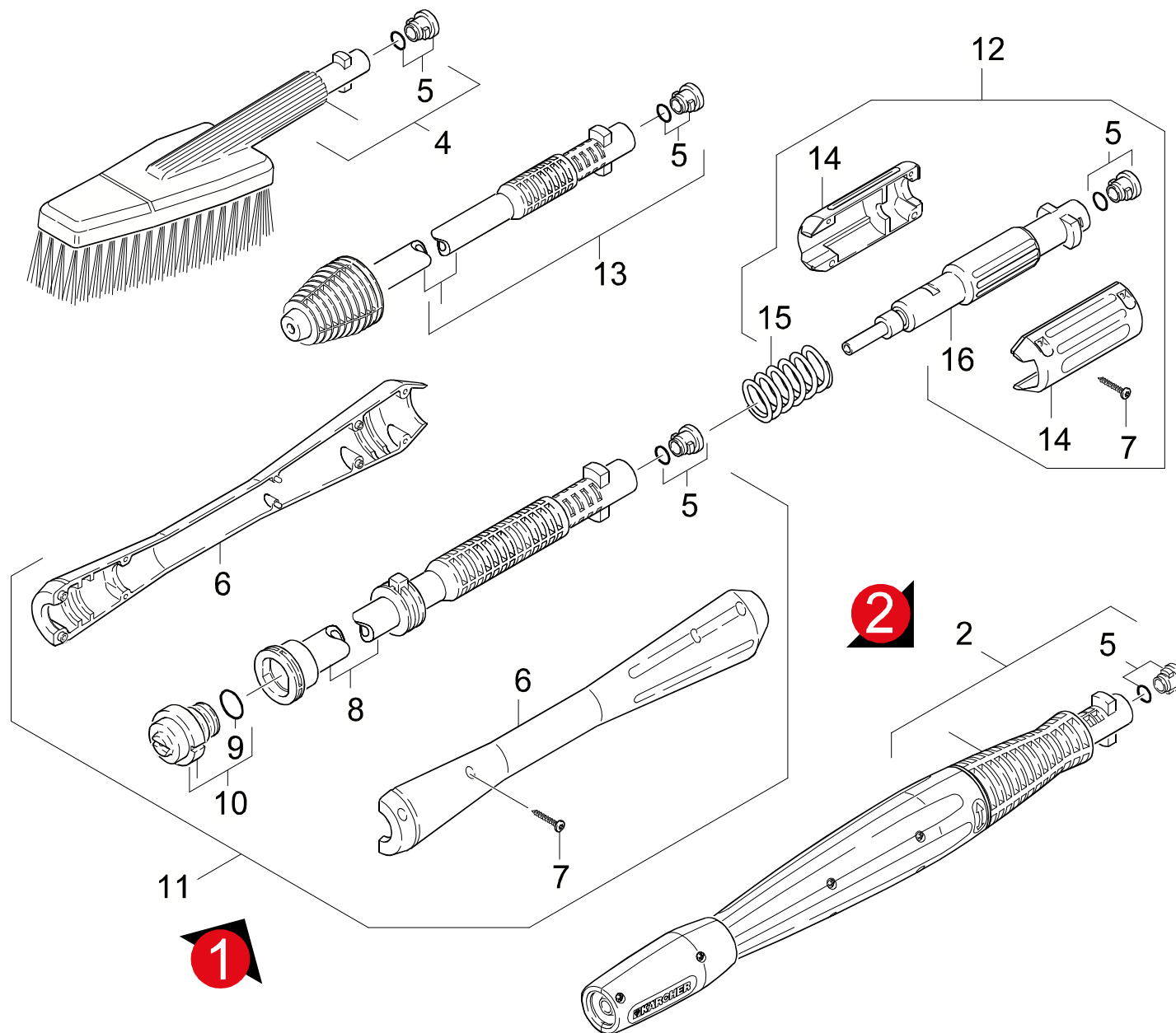
/ 1.069-680.0

"=> xxxxxx" = bis Werknummer / up to serial No. / jusqu' au No. de fabr. / "xxxxxx =>" = ab Werknummer / from serial No. / a partir du No. de fabr. /

GRUPPE: 4.3 STRAHLROHR
GROUP: 4.3 JET PIPE
GRUPPE: 4.3 LANCE D'INCENDIE

F4

K 520 M



Symbolbeschreibung siehe M16 / symbol description see M16 / désignation de système voir M16 /

GRUPPE: 4.3 STRAHLROHR
 GROUP: 4.3 JET PIPE
 GROUPE: 4.3 LANCE D'INCENDIE

G4

K 520 M

POS. ITM. POS.	BENNENUNG DESCRIPTION DESIGNATION	TEILE-NR. PART-NO. NO.PIECE	STCK QTY. NBR.
1	VPS K5 035 VERPACKT / VPS K5 035 VERPACKT / VPS K5 035 VERPACKT VERSION 2 / 1.069-933.0	4.760-545.0	1
2	VPS K5 0287VERPACKT / VPS K5 0287VERPACKT / VPS K5 0287VERPACKT VERSION 2 / 1.069-680.0	4.760-544.0	1
4	WASCHBUERSTE STARR / WASH BRUSH / BROSSE	6.903-276.0	1
5	ERSATZTEILSET / SPARE PARTS KIT / KIT DE PIECES	2.883-111.0	2
6	GRIFFPAAAR / HANDLES / BRANCHES POIGNEE	5.321-445.0	1
7	LINSENSCHR. 4,2X 13 / OVAL HEAD SCREW / VIS A TETE BOMBEE	6.303-122.0	12
8	STRAHLROHR VP / JET PIPE / LANCE D'INCENDIE	5.029-842.0	1
9	O-RING 18,0 X 2,0 / GASKET / BAQUE D'ETANCHEITE	6.362-534.0	1
10	DUESENKOPF VP 034 / NOZZLE CAP / BUSE	4.762-126.0	1
10	DUESENKOPF VP 027 / NOZZLE CAP / BUSE / 1.069-680.0	4.762-240.0	1
10	DUESENKOPF VP026 / NOZZLE CAP / BUSE / 1.069-680.0 bis up to jusq. 17250 / -937.0 bis up to jusq. 11299	4.762-270.0	1
11	STRAHLROHR VP 034 / JET PIPE / LANCE D'INCENDIE / 1.069-933.0	4.760-370.0	1
11	STRAHLROHR VP 027 / JET PIPE / LANCE D'INCENDIE / 1.069-680.0 ab from a 17251 / -937.0 ab from a 11300	4.760-409.0	1
11	STRAHLROHR VP026 / JET PIPE / LANCE D'INCENDIE / 1.069-680.0 bis up to jusq. 17250 / -937.0 bis up to jusq. 11299	4.760-440.0	1
12	STRAHLROHRVERLAENG. / JET PIPE-LENGTHENING / LANCE-ALLONGE / 1.069-680.0	4.760-332.0	1
13	ROTORDUESE 037 / ROTARY NOZZLE / BUSE JET ROTATIF	4.763-228.0	1
14	GRIFFSCHALE / HANDLE PART / POIGNEE	5.321-368.0	2
15	SCHRAUBENFEDER / HELICAL SPRING / RESSORT CYLINDRIQUE	5.332-247.0	1
16	ROHR / PIPE / TUYAU	5.028-758.0	1

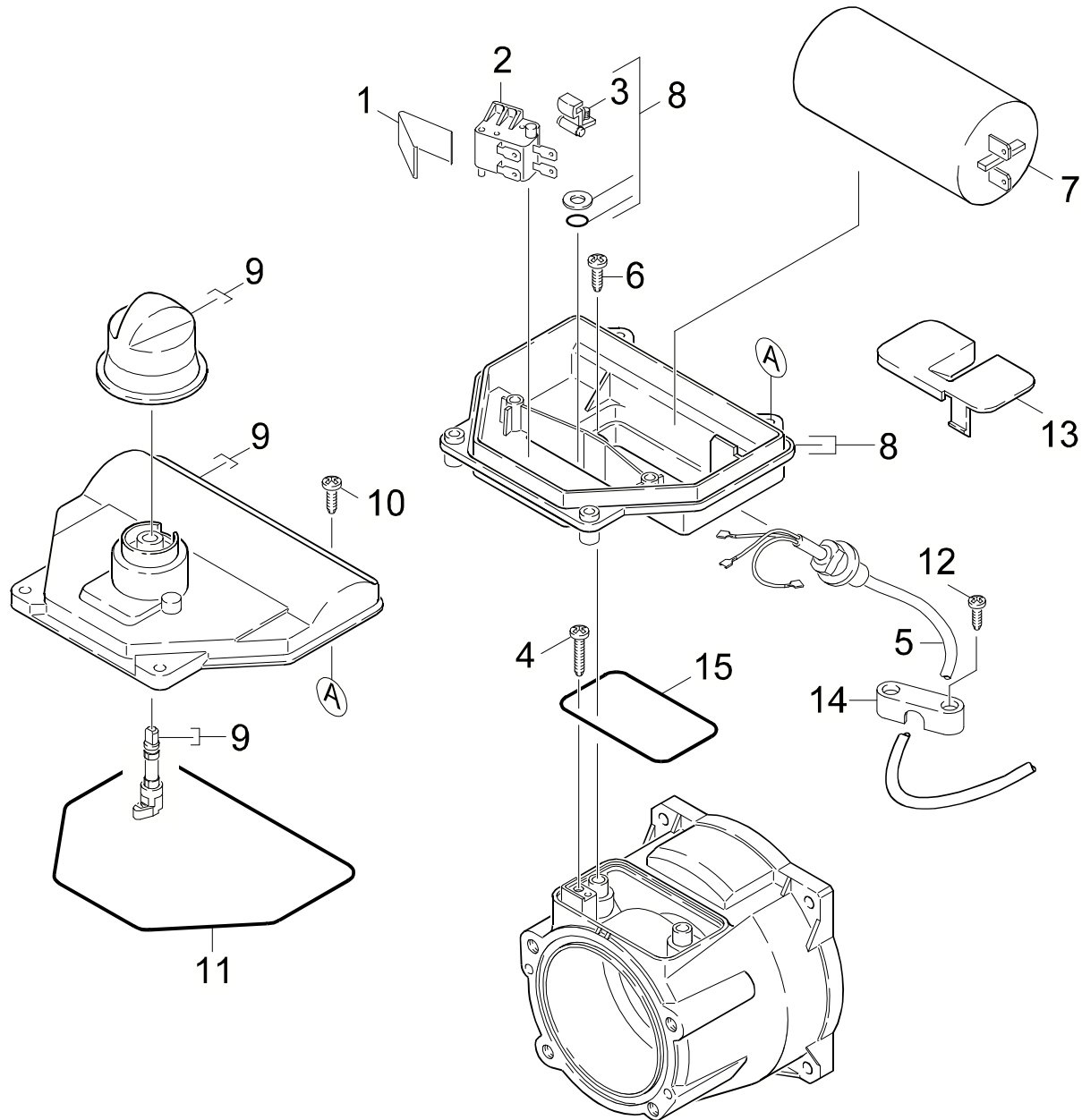
"=> xxxxxx" = bis Werknummer / up to serial No. / jusqu' au No. de fabr. / "xxxxxx =>" = ab Werknummer / from serial No. / a partir du No. de fabr. /

GRUPPE: 5.0 E-GERAETESCHRANK
GROUP: 5.0 ELECTRIC CONTROL BOX
GRUPPE: 5.0 COFFRET ELECTRIQUE

A5

K 520 M

GRUPPE: 5.0 E-GERAETESCHRANK
GROUP: 5.0 ELECTRIC CONTROL BOX
GRUPPE: 5.0 COFFRET ELECTRIQUE



Symbolbeschreibung siehe M16 / symbol description see M16 / désignation de système voir M16 /

GRUPPE: 5.0 E-GERAETESCHRANK
 GROUP: 5.0 ELECTRIC CONTROL BOX
 GROUPE: 5.0 COFFRET ELECTRIQUE

C5

K 520 M

POS. ITM. POS.	BENNENNUNG DESCRIPTION DESIGNATION	TEILE-NR. PART-NO. NO.PIECE	STCK QTY. NBR.	POS. ITM. POS.	BENNENNUNG DESCRIPTION DESIGNATION	TEILE-NR. PART-NO. NO.PIECE	STCK QTY. NBR.
1	BLATTFEDER / PLATE SPRING / RESSORT A LAMES	5.337-027.0	1	13	ABDECKUNG / COVERING CAP / CHAPEAU	5.031-312.0	1
2	MIKROSCHALTER / MICRO SWITCH / MICRORUPTEUR	6.631-946.0	1		/ 1.069-933.0		
3	WIPPE SCHALTER KPL. / ROCKER / BASCULE	4.047-003.0	1	14	BUEGEL KABEL / STRAP / ETRIER	5.034-518.0	1
4	SCHRAUBE M 4X 10 / SCREW / VIS	7.303-031.0	1	15	O-RING 65,0 X 2,5 / GASKET / BAQUE D'ETANCHEITE	6.362-887.0	1
	VERSION 2						
	/ 1.069-680.0						
5	KABEL M.STECKER*CDN / CABLE / CABLE	6.647-508.0	1				
	/ 1.069-937.0						
5	KABEL M.STECKER *DI / CABLE / CABLE	6.647-528.0	1				
	/ 1.069-700.0 / -720.0 / -933.0						
5	KABEL M.STECKER / CABLE / CABLE	6.648-877.0	1				
	/ 1.069-680.0						
6	SCHNEIDSCHR. M6X 20 / SELF-TAPPING SCREW / VIS AUTOTARAUEUSE	6.303-133.0	2				
7	KONDENSATOR / CAPACITOR / CONDENSATEUR	6.661-177.0	1				
	/ 1.069-680.0 bis up to jusq. 17250 / -933.0 / -937.0 bis up to jusq. 11299						
7	KONDENSATOR 65MUEF / CAPACITOR / CONDENSATEUR	9.085-036.0	1				
	/ 1.069-680.0 ab from a 17251 / -937.0 ab from a 11300						
8	ELEKTROKASTEN KPL. / ELECTRIC BOX / COFFRE ELECTRIQUE	4.800-846.0	1				
	/ 1.069-680.0 bis up to jusq. 17250 / -933.0 / -937.0 bis up to jusq. 11299						
8	ELEKTROKASTEN KPL. / ELECTRIC BOX / COFFRE ELECTRIQUE	4.800-851.0	1				
	/ 1.069-680.0 ab from a 17251 / -937.0 ab from a 11300						
9	DECKEL E-KASTEN DI / COVER / COUVERCLE	4.063-592.0	1				
	/ 1.069-680.0 bis up to jusq. 17250 / -933.0 / -937.0 bis up to jusq. 11299						
9	DECKEL E-KASTEN / COVER / COUVERCLE	4.063-720.0	1				
	/ 1.069-680.0 ab from a 17251 / -937.0 ab from a 11300						
10	SCHRAUBE 5,0X 20 / SCREW / VIS	6.303-125.0	4				
11	MOOSGUMMISCHNUR 4 / CELLULAR RUBBER CORD / CORDON EN CAOUTCHOUC CELL	6.273-070.0	1				
	ALS METERWARE BESTELLEN/TO ORDER AS CUT GOODS/COMMANDE COMME MARCHANDISE AU METRE						
12	LINSENSCHR. 4,2X 16 / OVAL HEAD SCREW / VIS A TETE BOMBEE	6.303-199.0	2				

"=> xxxxxx" = bis Werknummer / up to serial No. / jusqu' au No. de fabr. / "xxxxxx =>" = ab Werknummer / from serial No. / a partir du No. de fabr. /